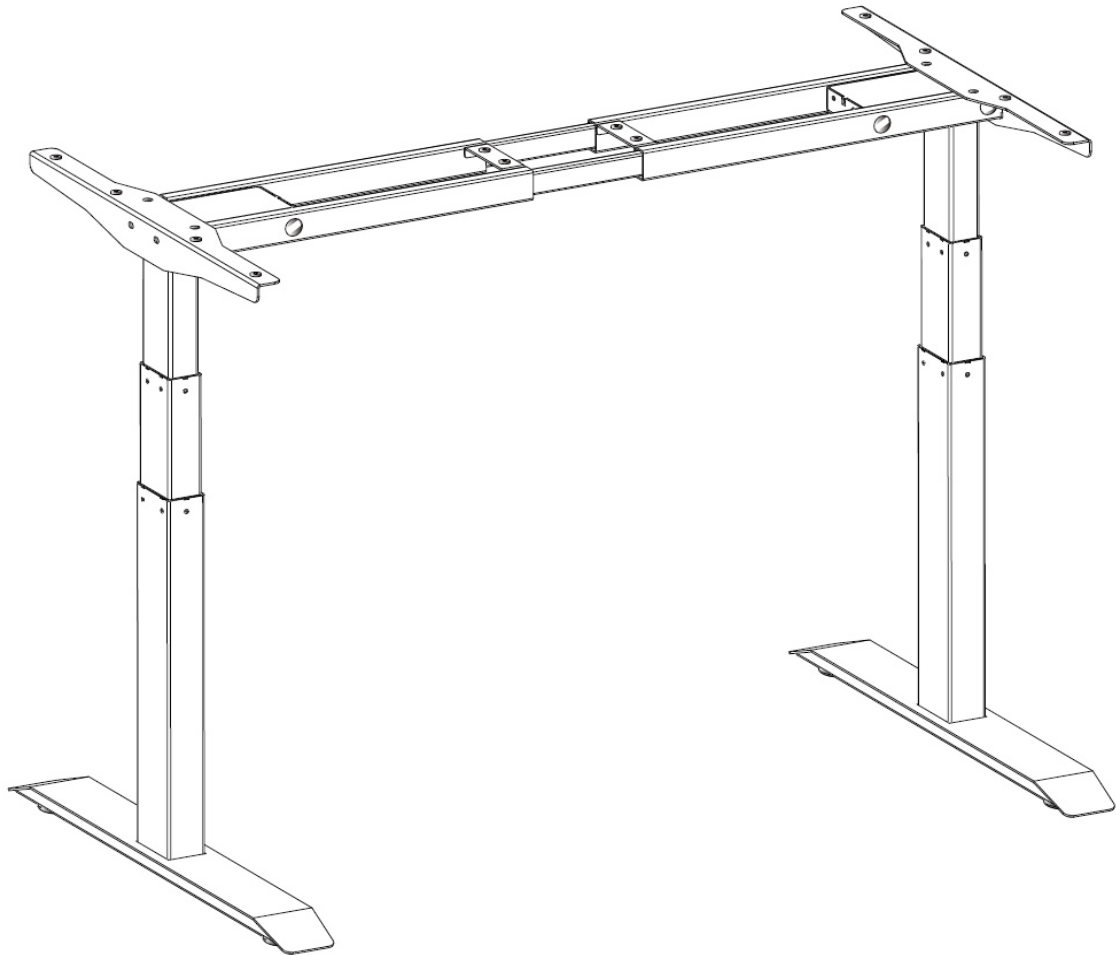


ELECTRIC FRAME

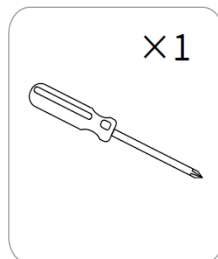
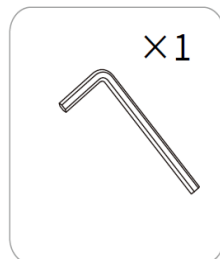
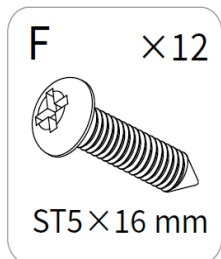
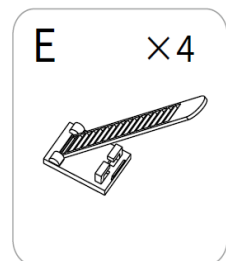
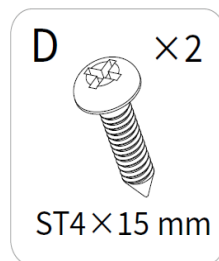
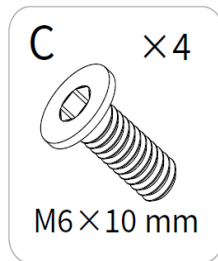
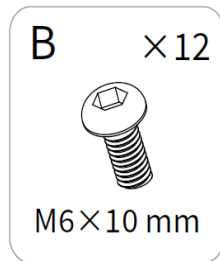
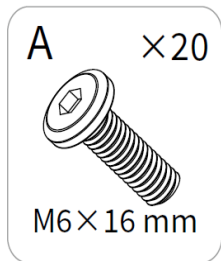
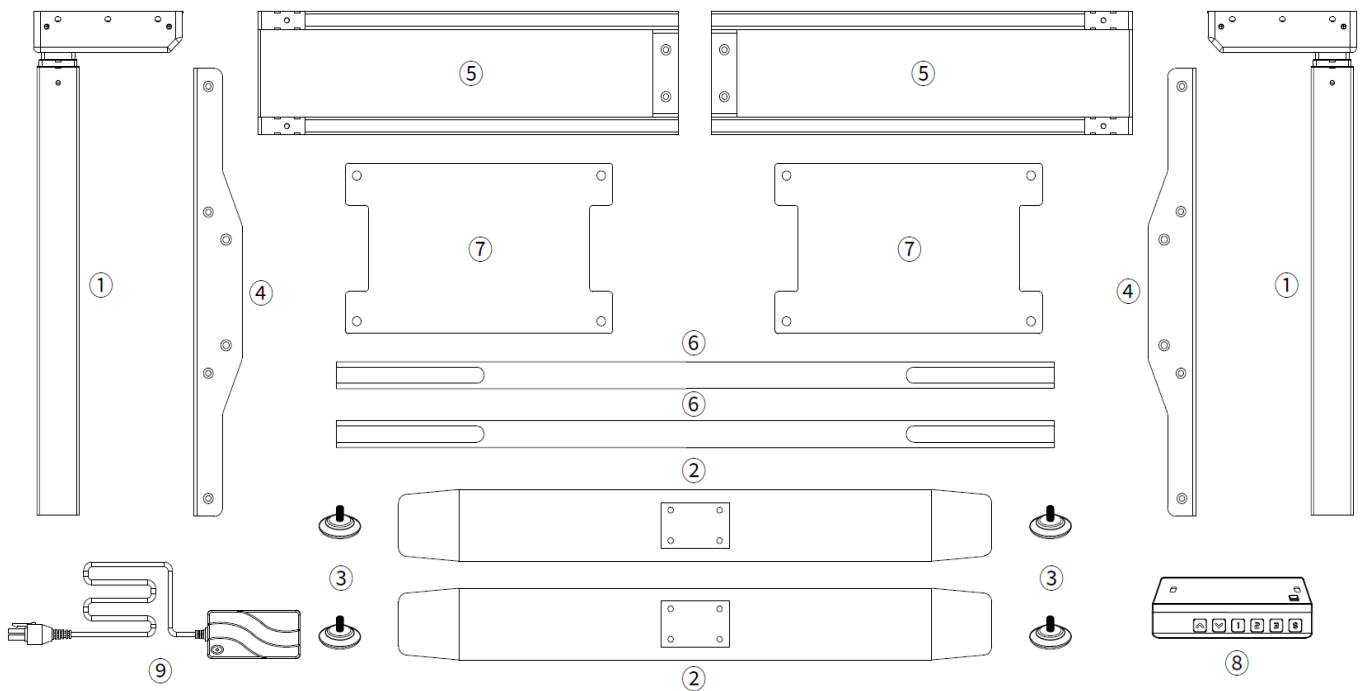


PRATO 04-3T
Installation guide

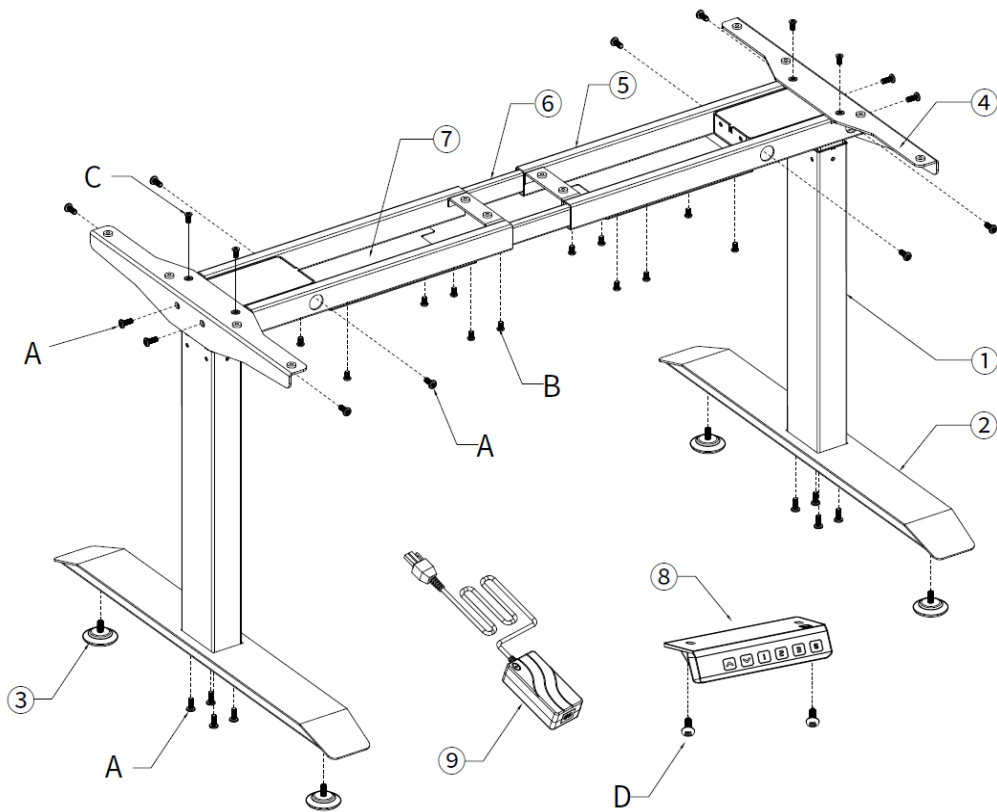
Specification

Stage columns	3
Load capacity	120 kg
Max. speed	35 mm/s
Input voltage	AC 110-240 V
Adjustable height	600-1250 mm
Duty cycle	10% (2 min on / 18 min off)
Working temperature	0-40 st. C
Certification	CE

Accessories list

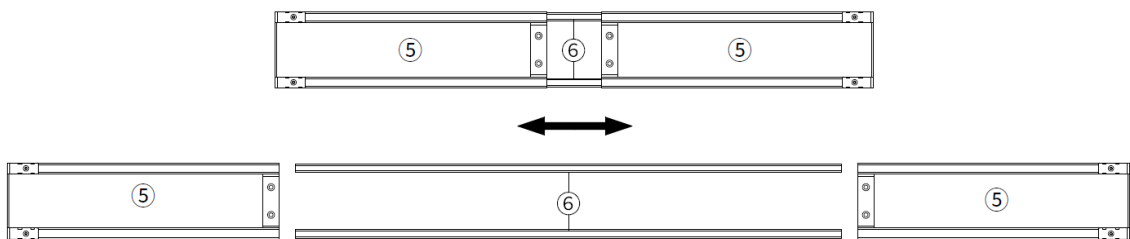


Diagram



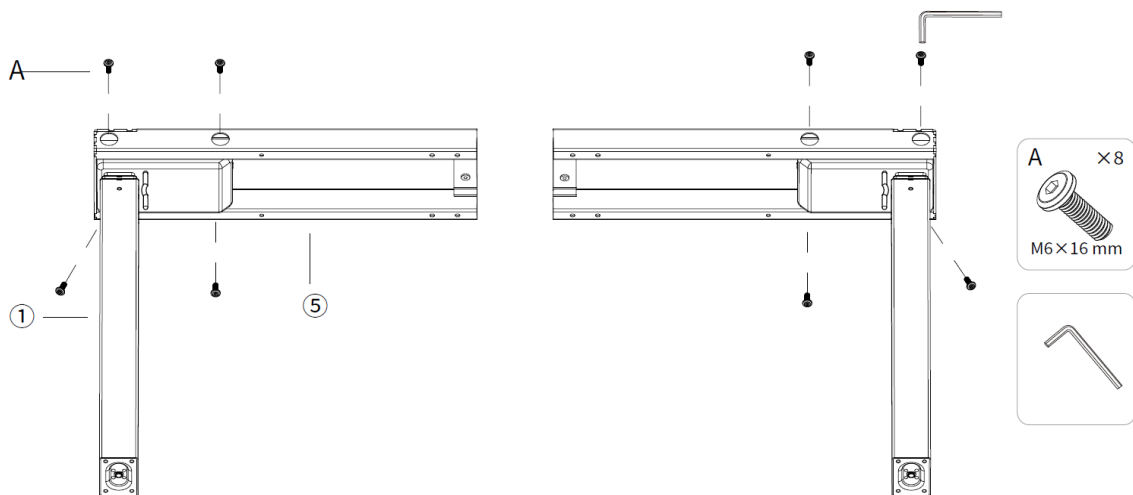
Step 1

Unpack all components and check that you have everything shown in the diagram. Slide out of frame 5 completely beams.



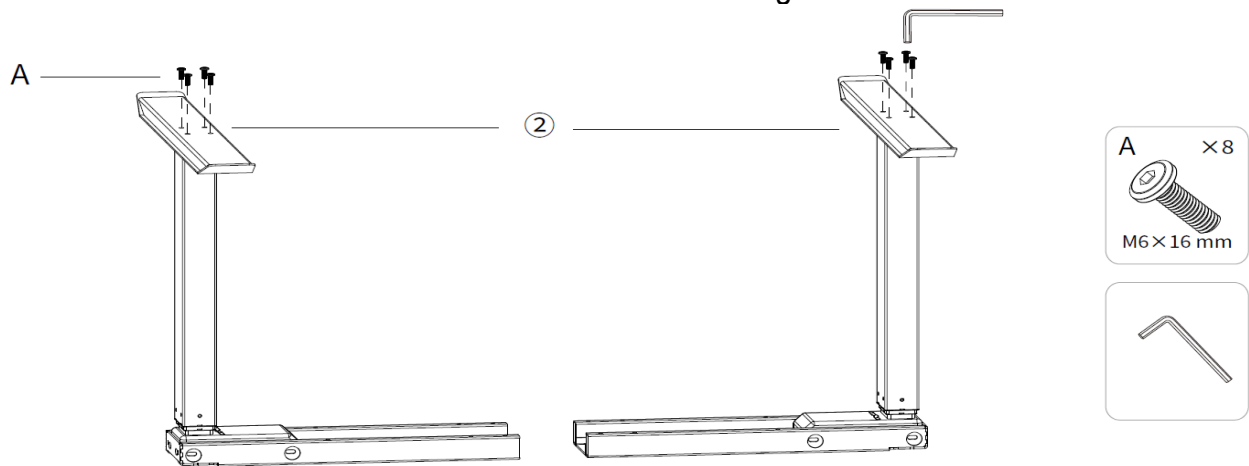
Step 2

Connect the columns 1 with the frame 5 and then fix them with screws A.



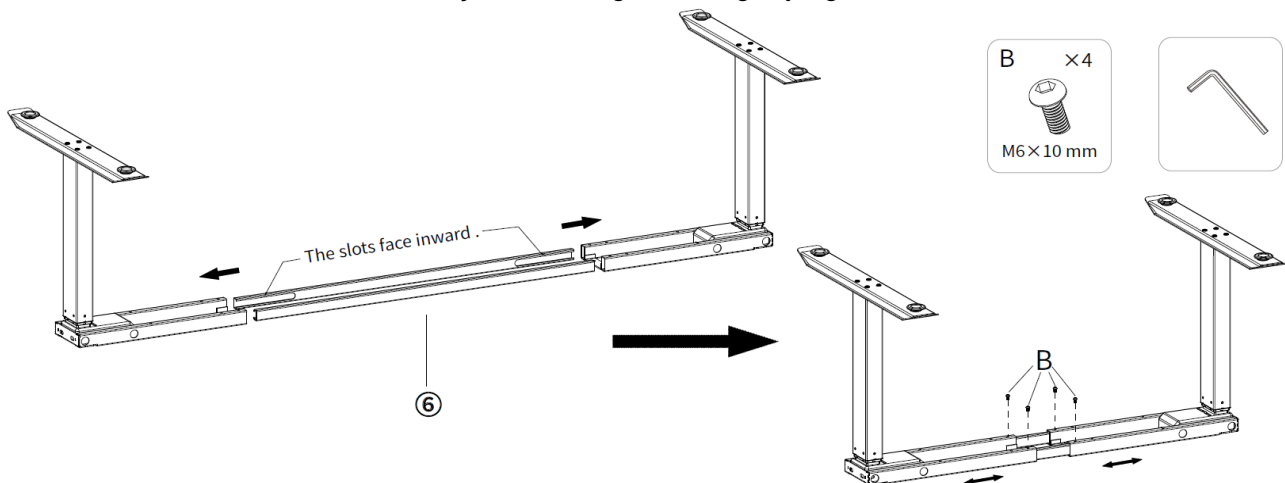
Step 3

Fix the feet 2 to the columns 1 with screws A. Attach the leveling feet 3 to the feet 2.



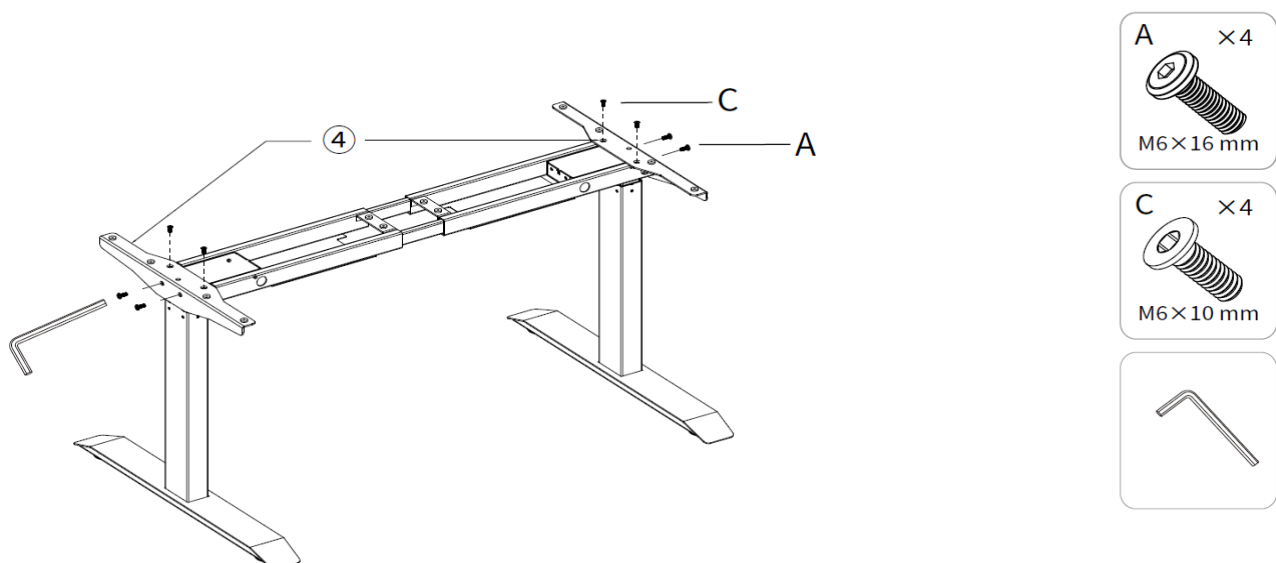
Step 4

Insert the beams 6 into the frame 5, adjust the length and lightly tighten with screws B.



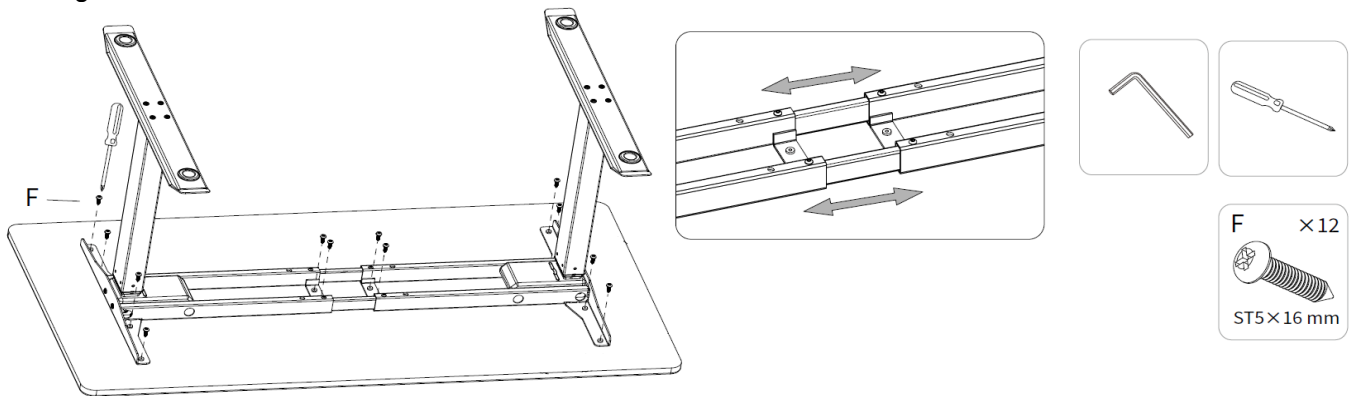
Step 5

Secure the top pieces 4 with screws A and C.



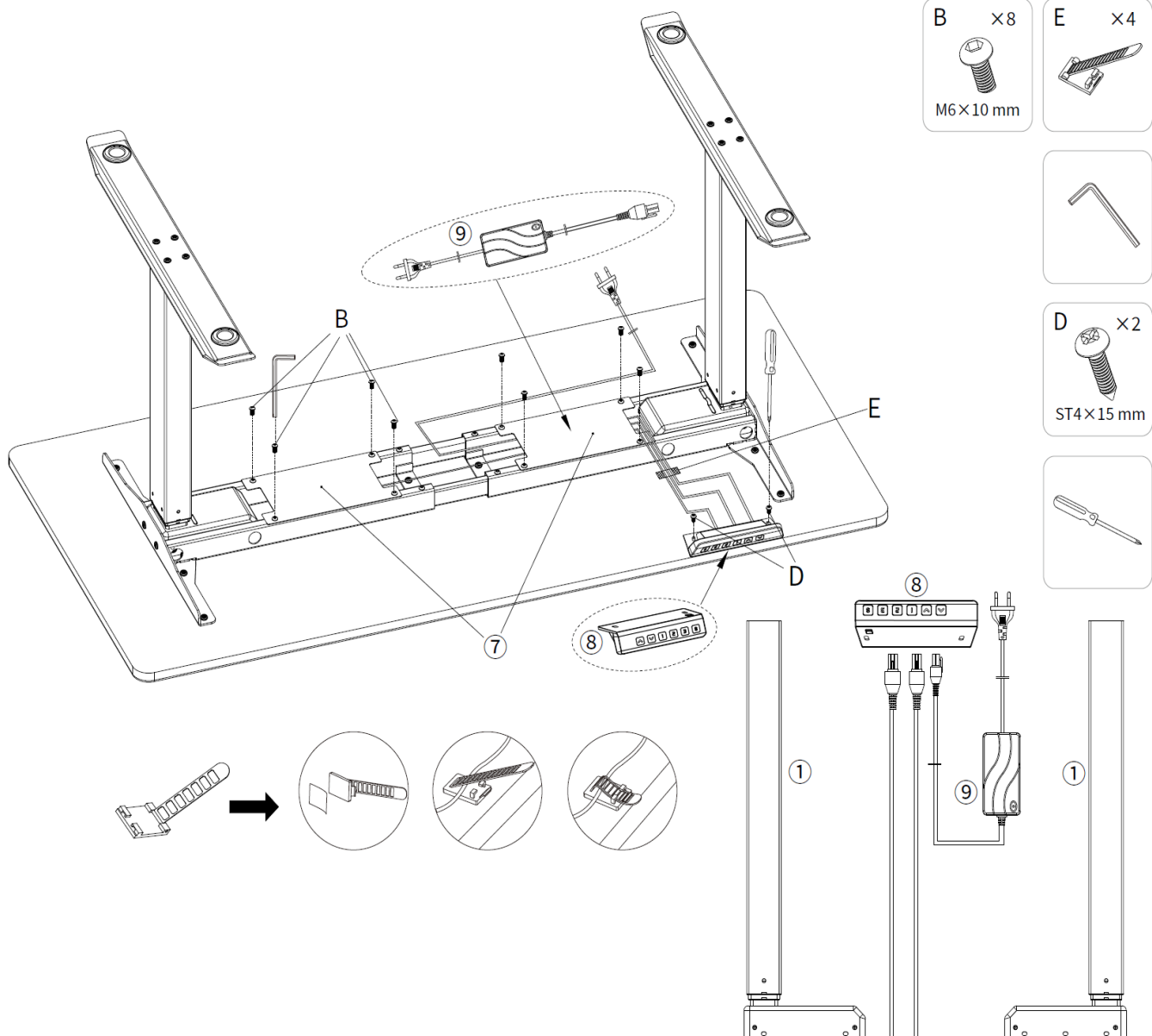
Step 6

Set the beams 6 in the right position and then screw the upper elements 4 to the table top using screws F. Then tighten screws B.

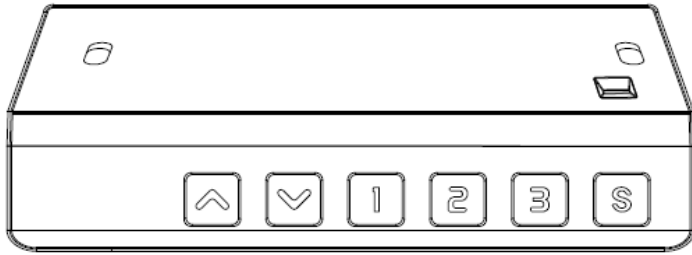


Step 7

Insert the power supply 9 between the beams. Connect the two motors and the power supply to the controller. Attach the controller to the tabletop using screws D and then using screws B, fix the covers 7 to the frame 5.



Controller instruction



- „^” - lifting
- „v” - lowering
- „1” - position memory 1
- „2” - position memory 2
- „3” - position memory 3
- „S” - position memorization

Product first use

Before using the desk for the first time, perform a reset operation.

1. Press and hold the "v" button for up to 5 seconds after the rack goes to the lowest position. "RST" will appear on the display. Still do not release the "v" button - the legs of the frame will slowly lower, and after reaching the lowest position, they will raise by approx. 1 cm. You can release the "v" button. The reset operation is complete.
2. Height adjustable function
Press the "^" or "v" button to adjust the height. The LED display shows the current height.
3. Altitude memory
Adjust the frame to the desired height. Press the "S" button (the display shows "S-") and then press the "1" button. The display will show "S-1" which means the altitude has been stored for the "1" key.
The method of memorizing the position for buttons "2" and "3" is the same as above.
4. Childproof lock
Press and hold the "^" and "v" buttons for more than 5 seconds at the same time to set the child lock. After the setting is successful, the LED will display "LOC". At this time, all buttons operations are invalid. You can press the "^" and "v" buttons at the same time for 5 seconds to cancel the lock state, when the hand control display changes from "LOC" to normal digital display, it means the system has been unlocked.
5. Over heating protection
Display shows "HOT", indicating the desk is running frequently, and the motor is over heating, so the system stop operation at once for 18 minutes rest in order to avoid the damage of motor.
6. Anti-collision system
The frame is equipped with an anti-collision system. Upon encountering an obstacle, the rack will stop and start moving in the opposite direction.
The strength of the anti-collision system must be set. To do this, press and hold the "S" button for at least 5 seconds until the display starts flashing. Then, by briefly pressing the "S" button, go to the "PC" item and using the "v" or "^" buttons set its value in the range of 0-5. Do the same for the "DC" and "SS" positions. If 0 is selected, the anti-collision system will not work. To save the settings, hold down the "S" button until the progress bar comes to the end and all menu content is saved and "SUS" appears on the screen. If no button is pressed for 10 seconds, the controller will automatically exit the settings menu.
7. Settings menu
In order to call up the settings menu, press and hold the "S" button for at least 5 seconds.
 1. Setting the lowest frame height
 2. Setting the highest frame height
 3. Setting the basic height of the frame (range 0-30 cm)
 4. Anti-collision settings for lifting (PC... - range 0-5) – described above
 5. Anti-collision settings for lowering (DC... - range 0-5) – described above
 6. Frame tilt detection gyroscope settings (SS... - range 0-5) - described above
 7. Altitude units setting (cm or inch)

To navigate through the menu (points 1-7) briefly press the "S" button. By pressing the "v" or "^" button, we select a given parameter for each point 1-7. To save the settings, hold down the "S" button until the progress bar

comes to the end and all menu content is saved and "SUS" appears on the screen. If no button is pressed for 10 seconds, the controller will automatically exit the settings menu.

Troubleshooting

No response when pressing "v" and "Λ" buttons	Check all cable connections
Frame lifting speed low	Check that the weight does not exceed 120 kg
Can be lifted without lowering	Reset the frame
Self-lowering of the frame	Check that the weight does not exceed 120 kg
Frequent self-reset of the frame	Check that the weight does not exceed 120 kg
Engine running time exceeded	Wait 18 minutes

EN Please read the manual carefully before assembly and use. If you have any doubts or queries, please contact your local distributor.

CAUTION: using the frame with products heavier than the recommended weight may cause loss of stability leading to injury.

Please follow the instructions carefully when assembling. Incorrect installation may result in damage or serious injury.

Make sure that the worktop surface can safely support the weight of all equipment and other components.

Use only the screws provided with the frame and make sure they are not overtightened.

The product contains small parts that are dangerous if swallowed. Keep the product away from children.

The product is intended for indoor use only. Using the product outdoors may result in product loss and injury.

IMPORTANT: Before assembling and installing, please make sure the product is complete. If any parts are damaged or missing, please contact your local distributor for replacement.

Product should be regularly checked for safety in use (at least every 3 months).